

DFTD

The **DFTD** is a Remote Temperature Dial with 5 selectable temperature ranges and an easy to use selection knob.

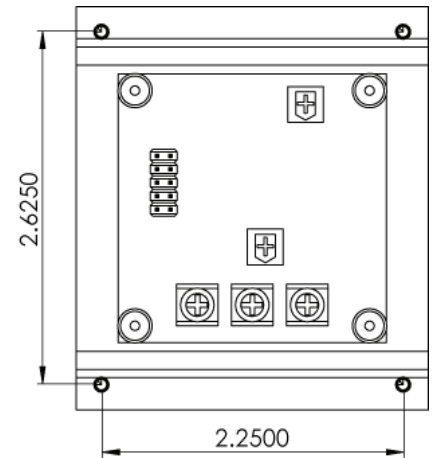
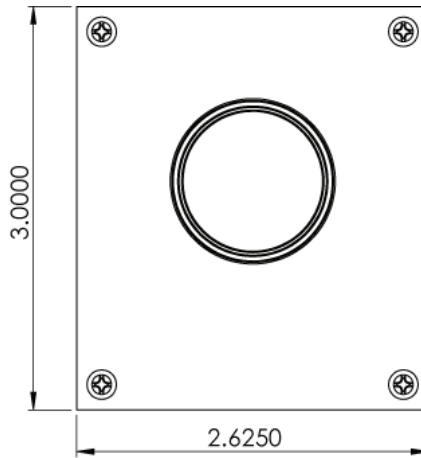


- 5 Selectable temperature ranges with one dial
 - 40°F-90°F (4°C - 32°C)
 - 80°F-130°F (26°C - 54°C)
 - 120°F-170°F (48°C - 76°C)
 - 160°F-210°F (71°C - 99°C)
 - 200°F-250°F (93°C - 121°C)

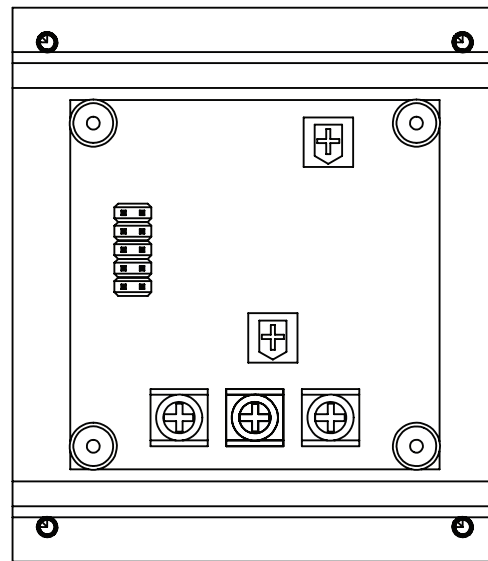
Description

The DFTD is RTC's Direct Fired Temperature Selection Dial. It fits 1/4" wiring terminals and the mounting footprint matches other industry standard controls. The DFTD has 5 selectable temperature ranges all on the same dial

DFTD



DFTD 1	DFC-X	Terminal 1
DFTD 2		NA
DFTD 3		Terminal 2
DFTD 1	DFC	Terminal 5
DFTD 2		NA
DFTD 3		Terminal 6



DFTD Specifications

DFTD Ambient Temperature Limits	
Storage	40°F -250°F (-40 - 121°C)
Operating	40°F -250°F (-40 - 121°C)
Accuracy	+/-3°F (1°C)